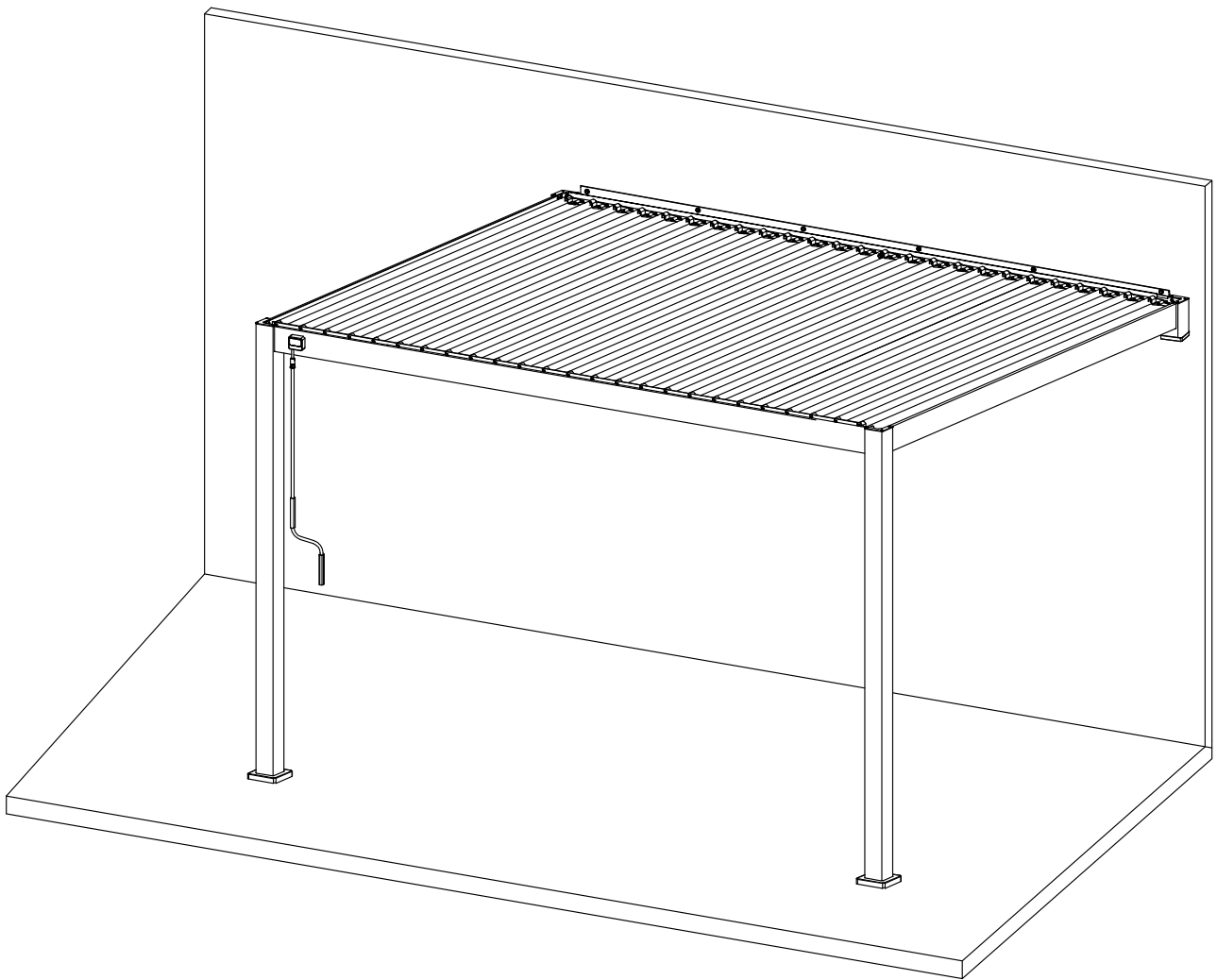
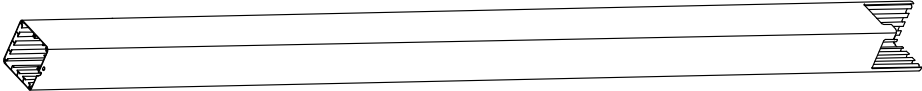
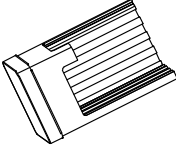
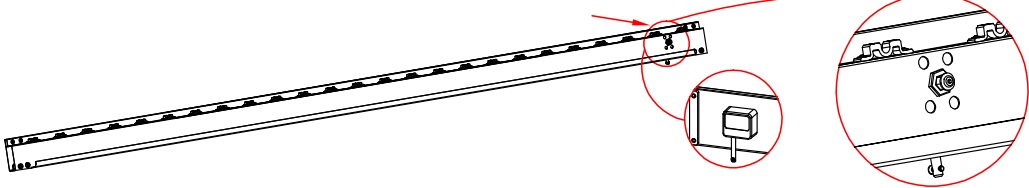
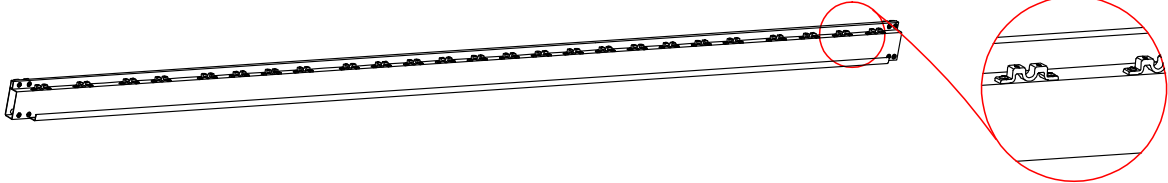
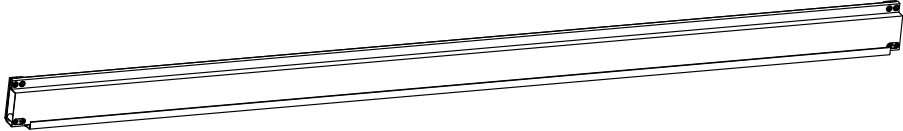
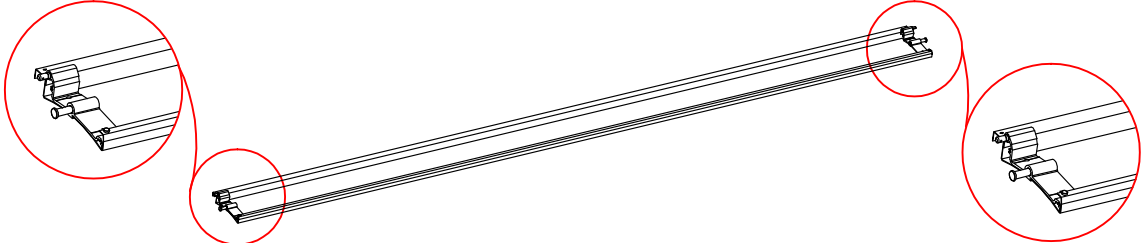

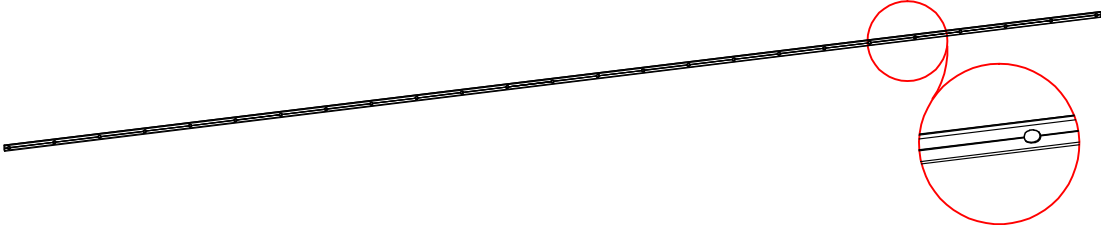



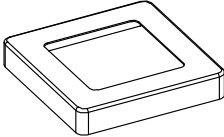
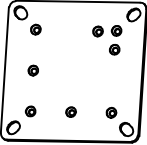
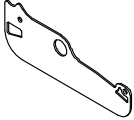
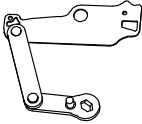
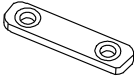
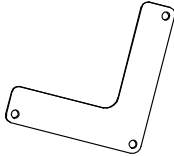
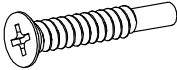
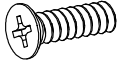

REFLECT 3x4m


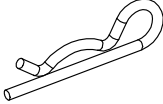

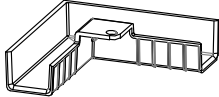
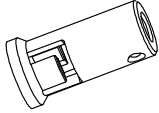
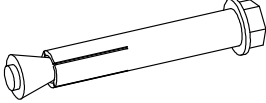

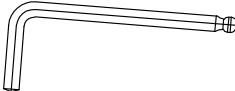


User Manual



	REF	QTY	REF	QTY	REF	QTY
Carton 1/4	(A)	2PCS	(A2)	2PCS	(I)	2PCS
	(J)	2PCS	(K)	51PCS	(L)	1PC
	(M)	52PCS	(N)	4PCS	(O)	13PCS
	(P)	105PCS	(Q)	105PCS	(R)	16PCS
	(S)	58PCS	(T2)	18PCS	(U2)	2PCS
	(V)	1PC	(W)	14PCS	(X)	1PC
	(Y)	2PCS	(Z3)	1PC	User Manual	1SET
	(Z)	1PC				
Carton 2/4	(B1)	1PC	(B2)	1PC	(C)	2PCS
	(E)	1PC	(G)	2PCS	(H)	1PC
Carton 3/4	(D)	13PCS				
Carton 4/4	(D)	12PCS				

REF	PICTURE	QTY
A		2PCS
A2		2PCS
B1		1PC
B2		1PC
C		2PCS
D		25PCS
E		1PC
G		2PCS
H		1PC

REF	PICTURE	QTY
I		2PCS
J		2PCS
K		51PCS
L		1PC
M		52PCS
N		4PCS
O		13PCS
P	 M5x12mm	105PCS
Q	 4.2x25mm	105PCS

REF	PICTURE	QTY
R	 5.5x19mm	16PCS
S		58PCS
T2		18PCS
U2		2PCS
V		1PC
W		14PCS
X		1PC
Y		2PCS
Z3		1PC
Z	 Ø12mm	1PC

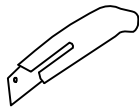
Warning

In snow season or in case of snow forecast open up your shutters in vertical position to avoid any damaging on your pergola.

What you need?



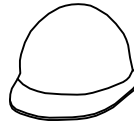
Glove



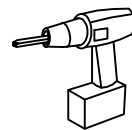
Knife



Hammer



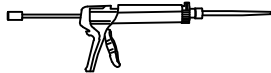
Safety hat



Electric screw driver



Tapeline



Glue gun



Ladder

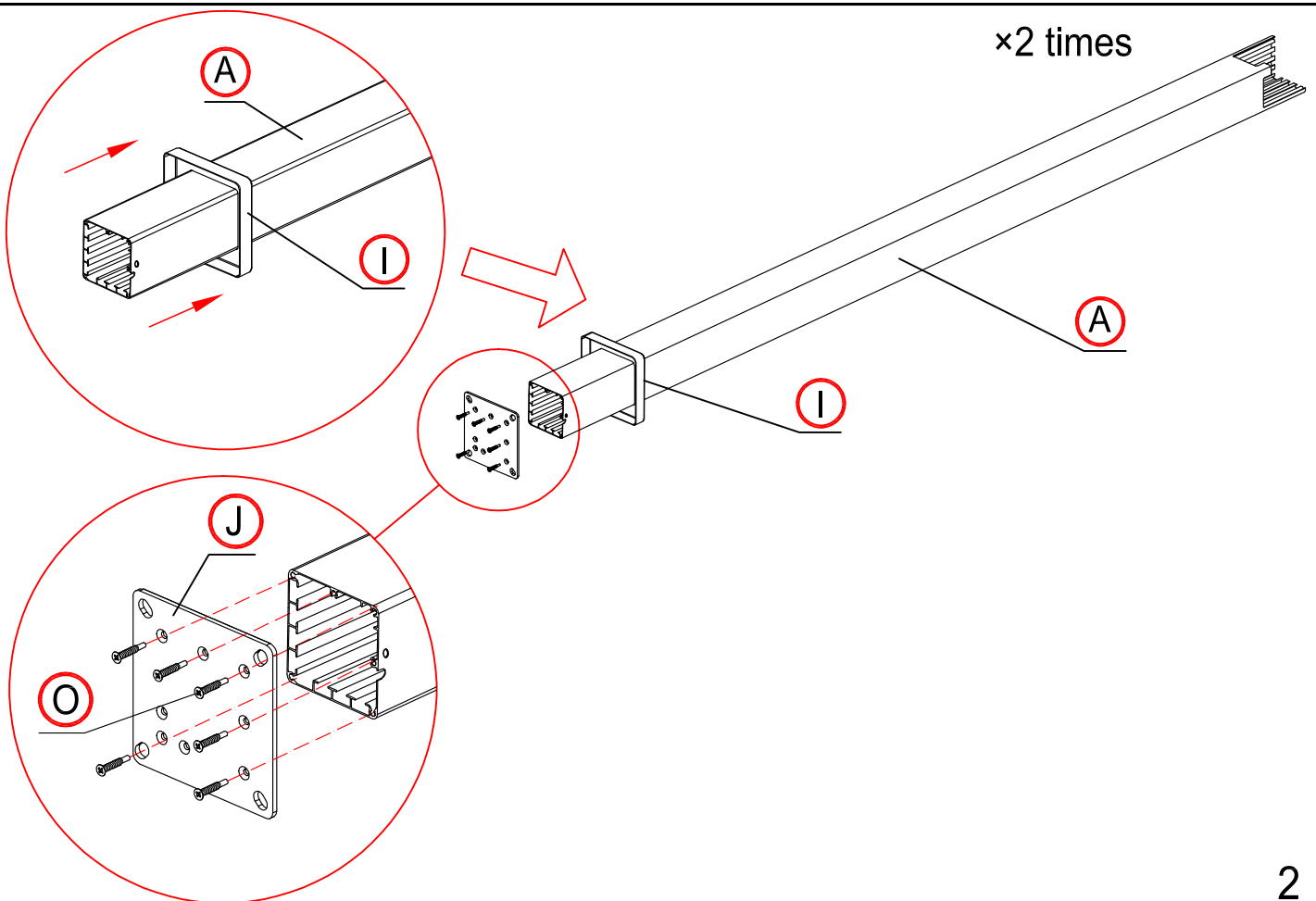


Level bar



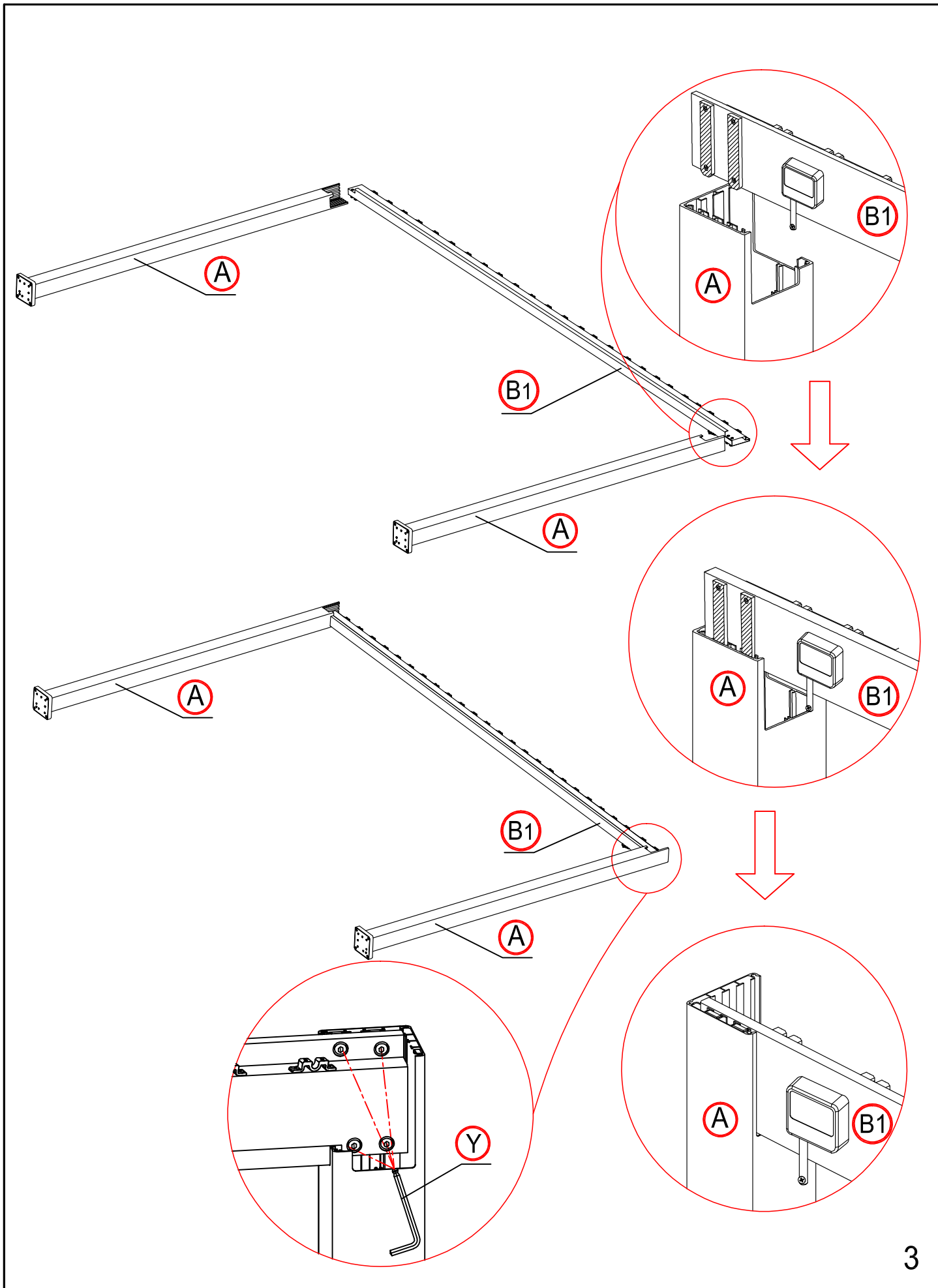
Adjusting wrench

1

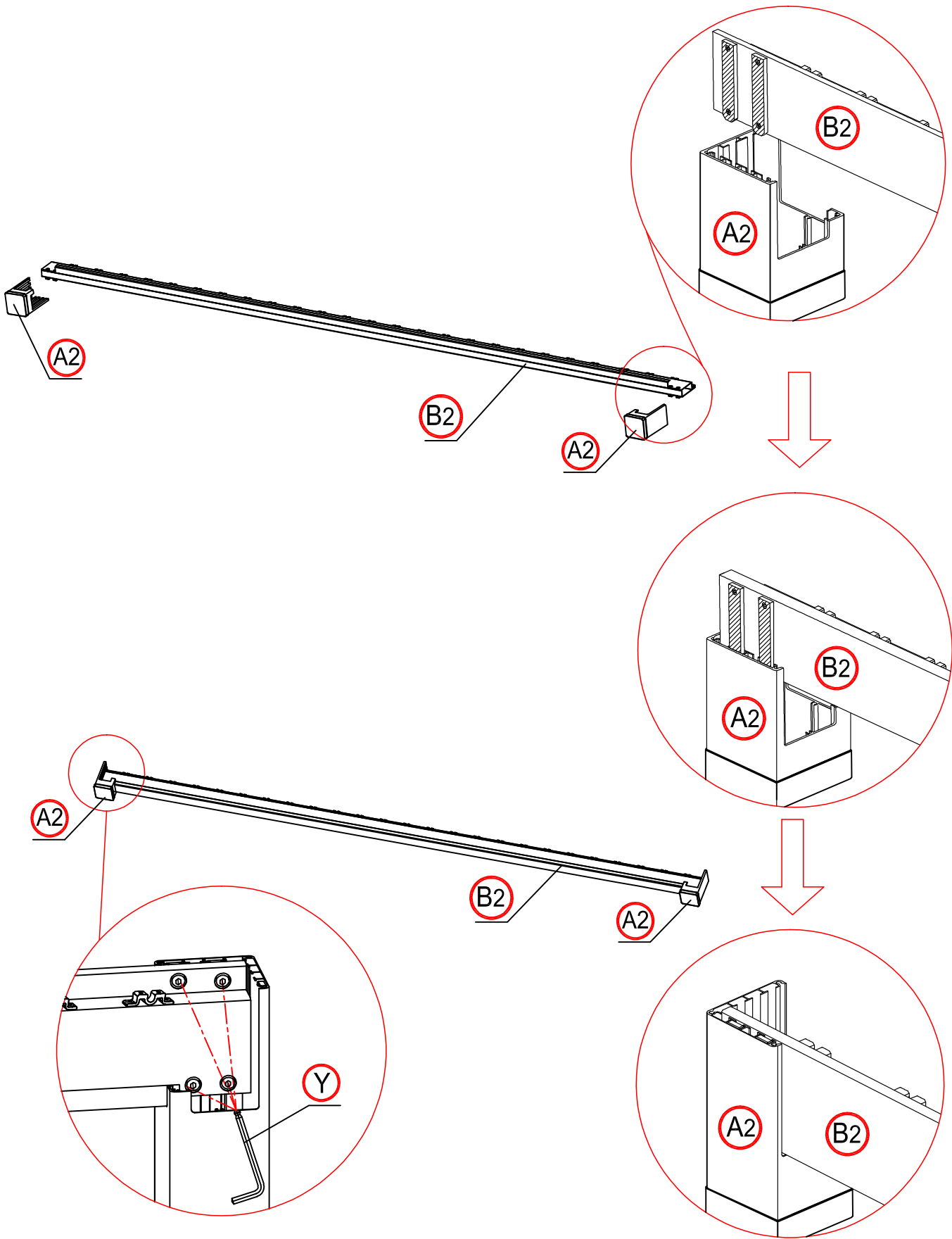


2

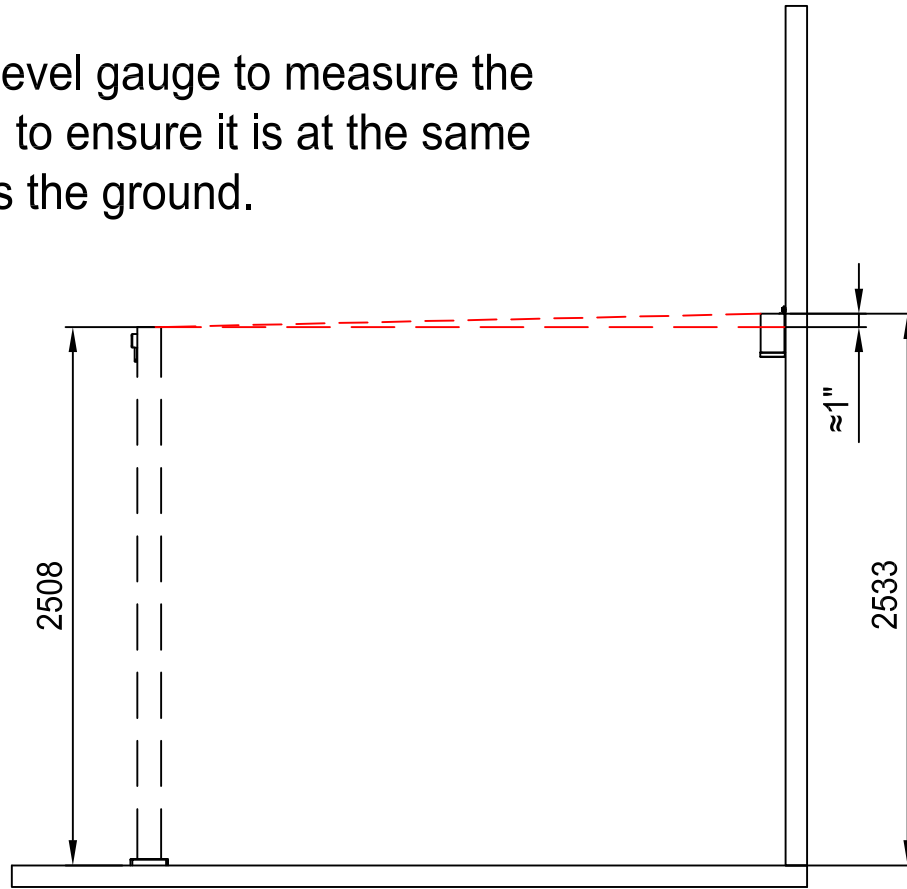
3



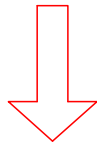
4



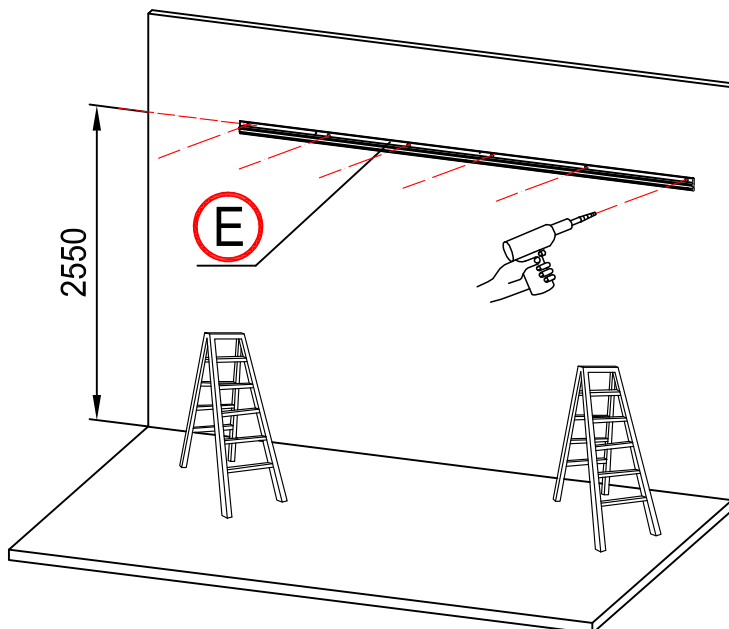
Use a level gauge to measure the ground to ensure it is at the same level as the ground.



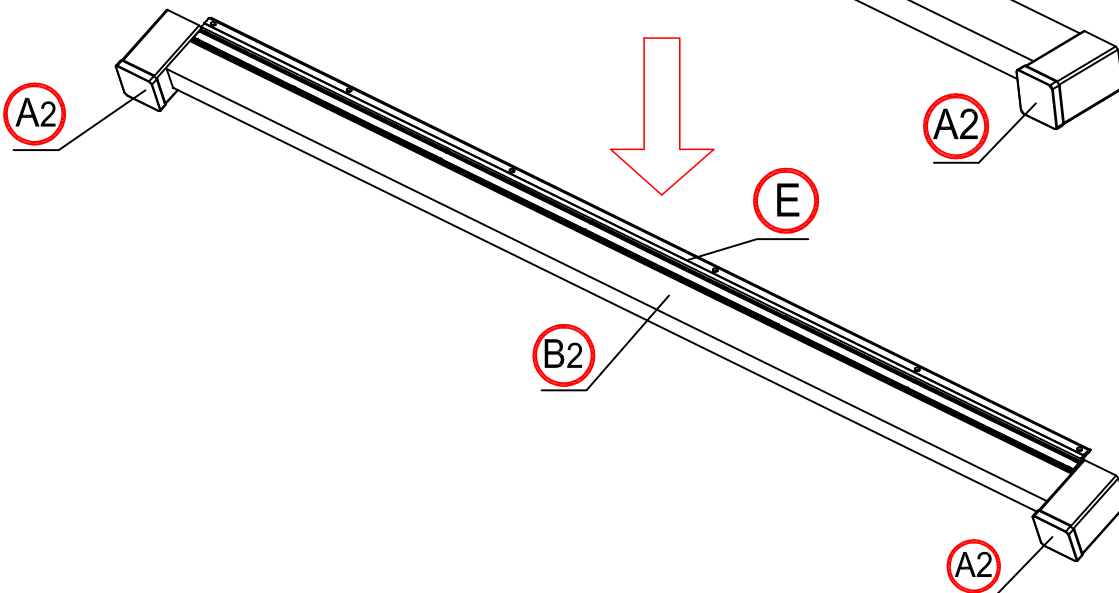
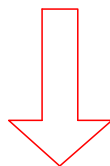
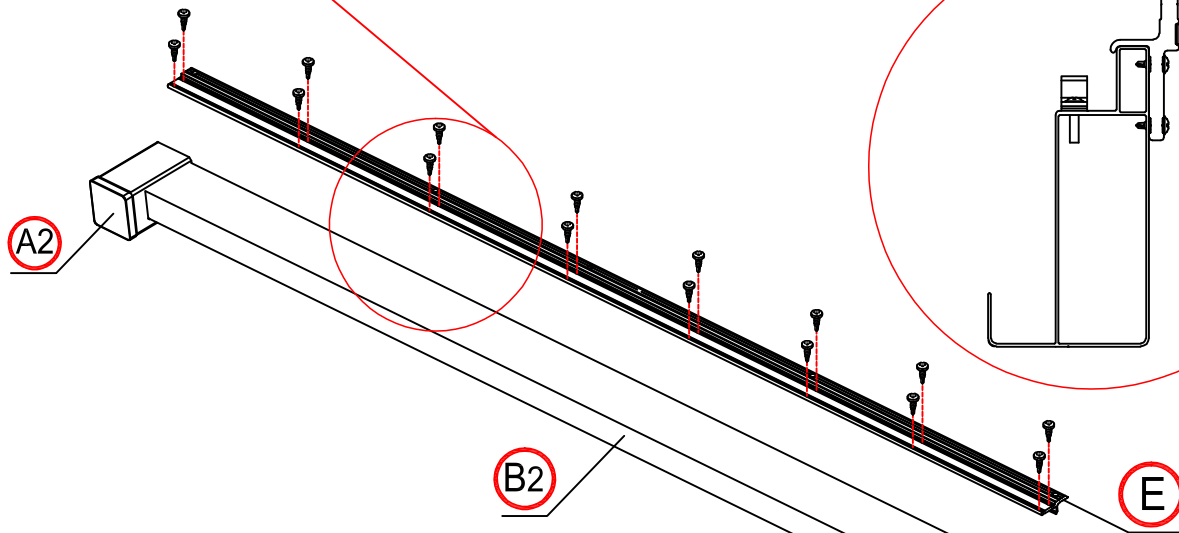
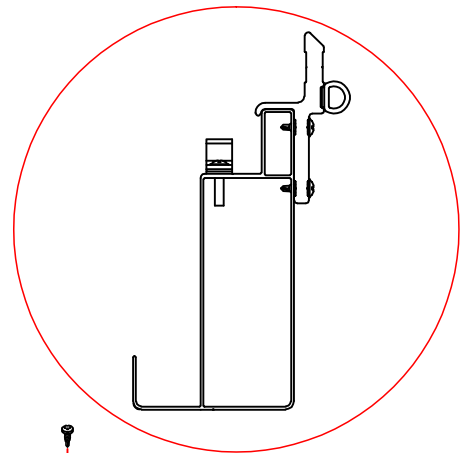
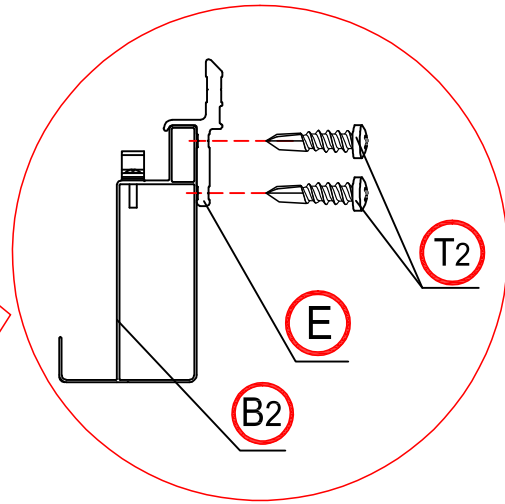
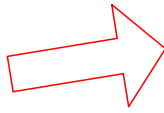
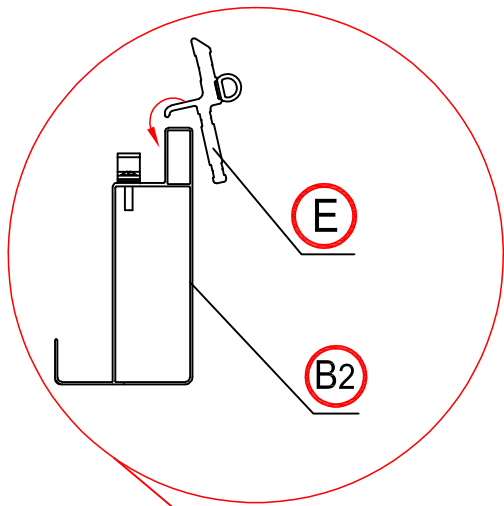
Actually, the horizon pole on the side of the wall is about an inch higher than the height of the opposite one to facilitate the flow of water from high to low when it rains.



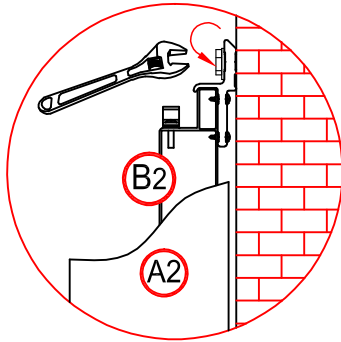
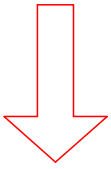
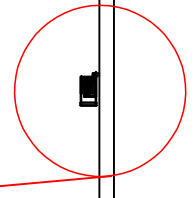
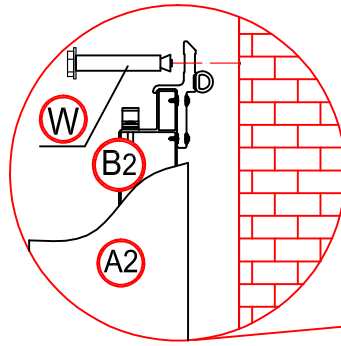
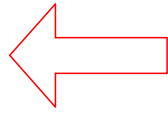
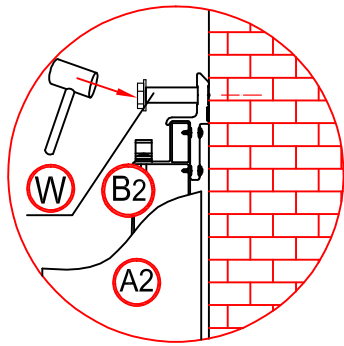
×6 times



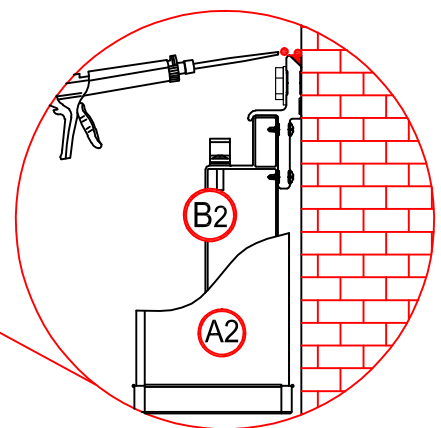
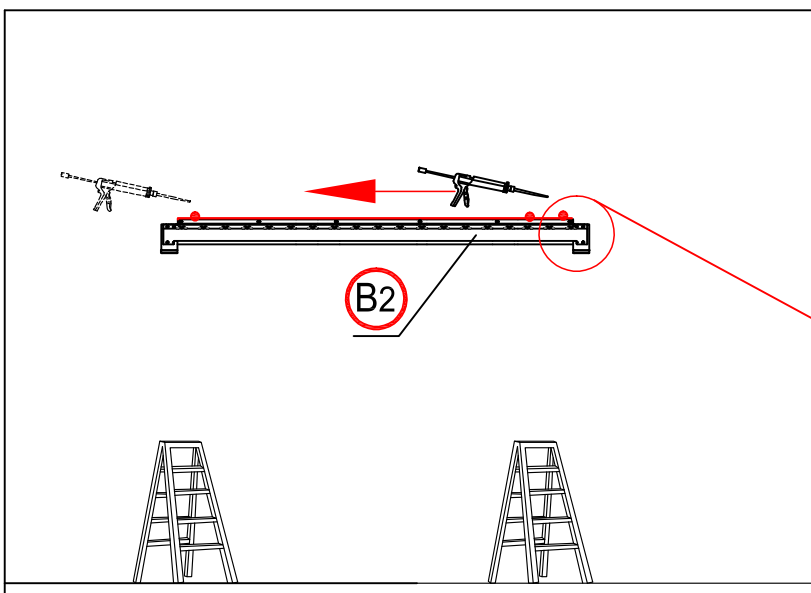
×16 times

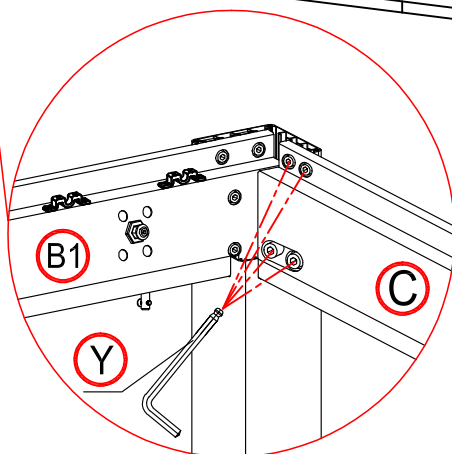
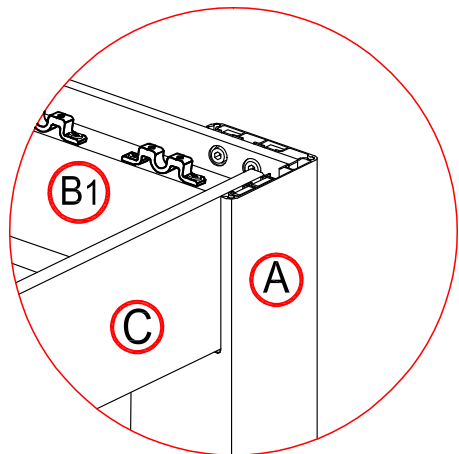
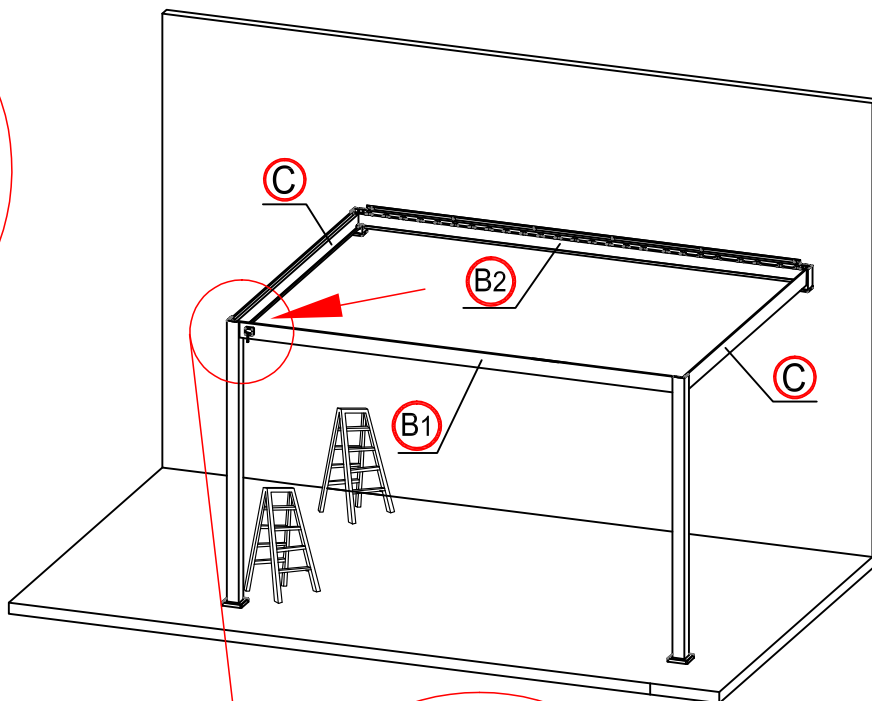
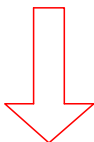
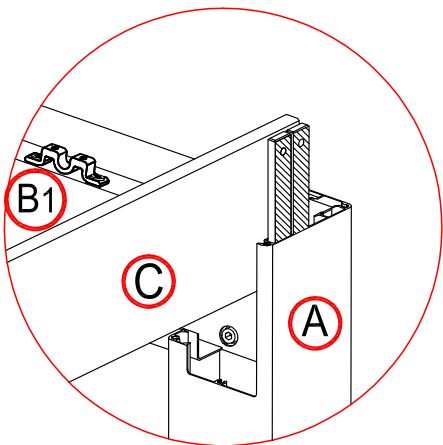
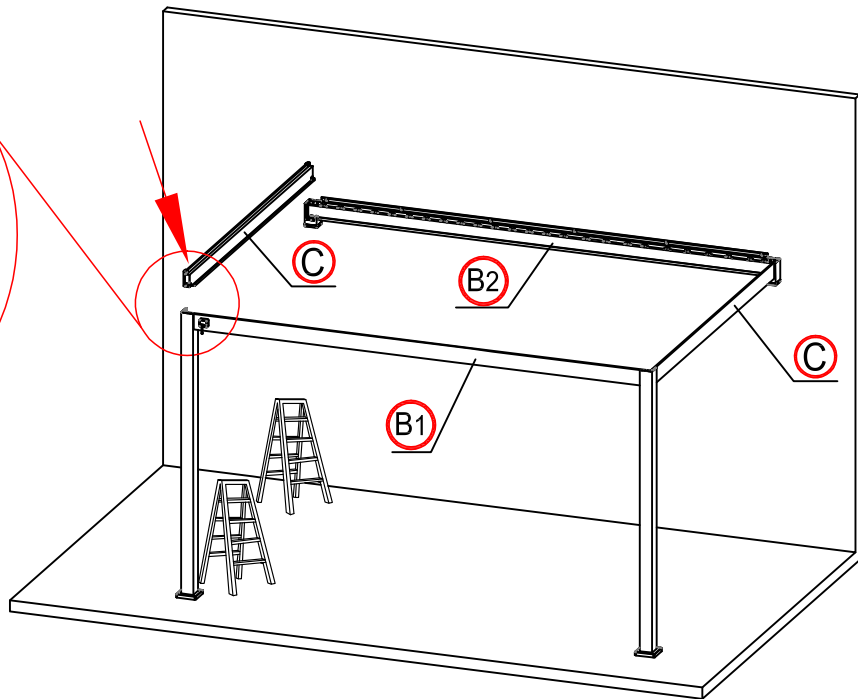
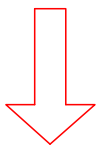
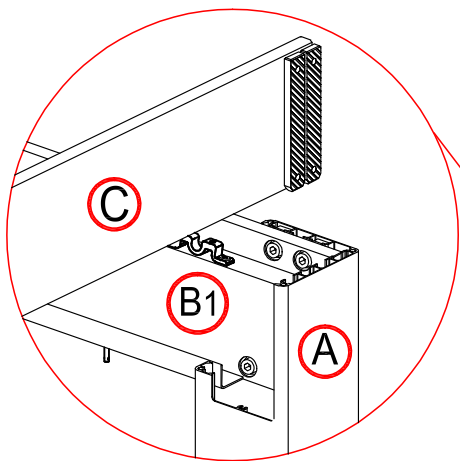


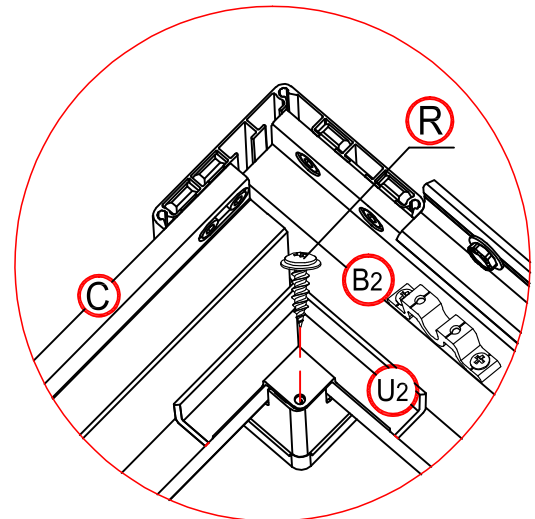
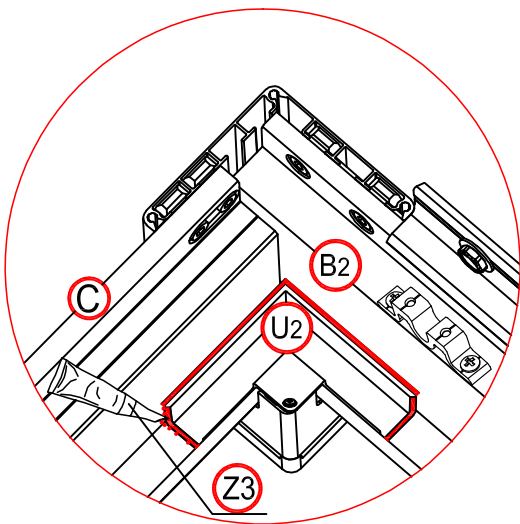
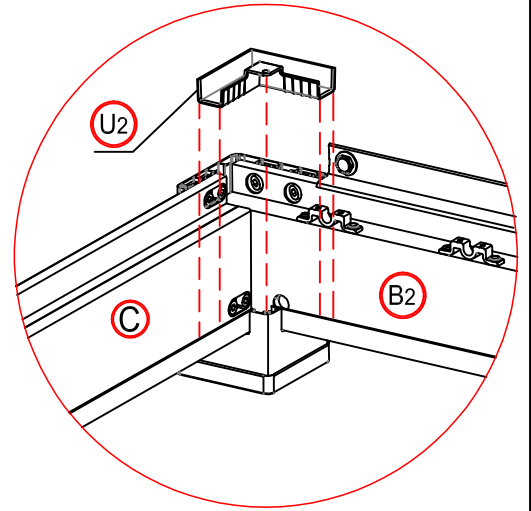
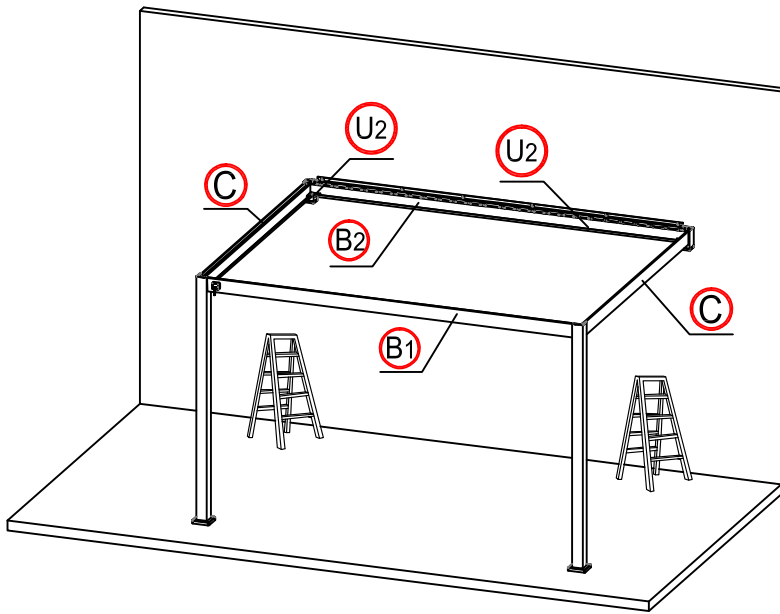
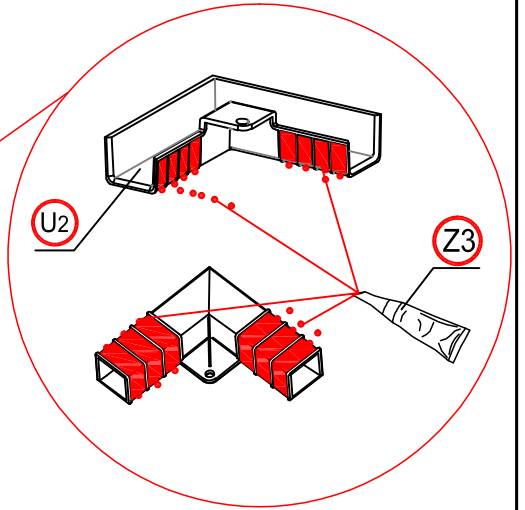
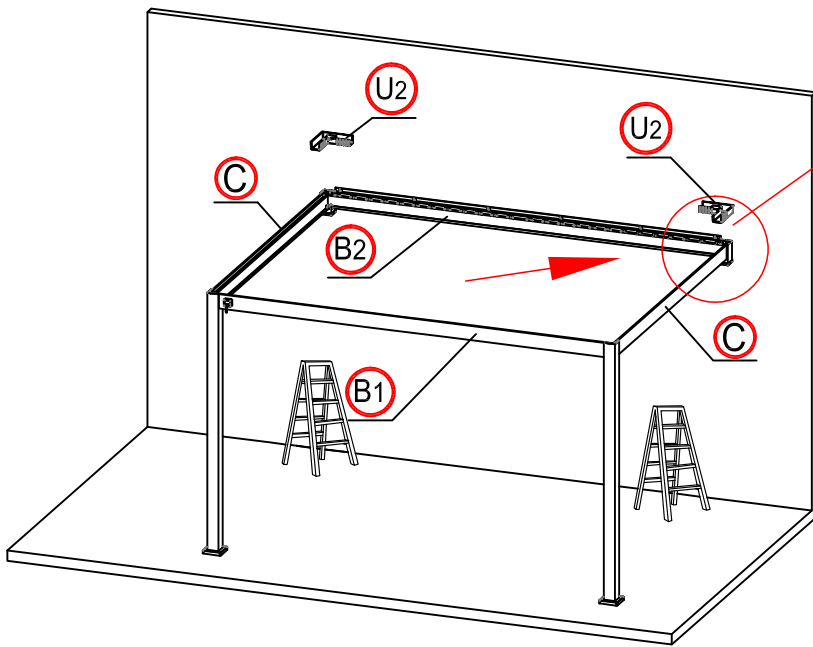
7

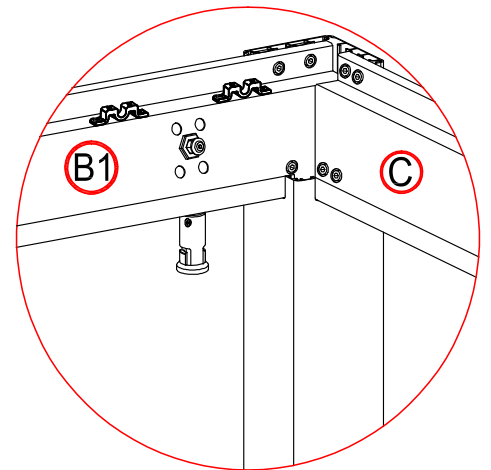
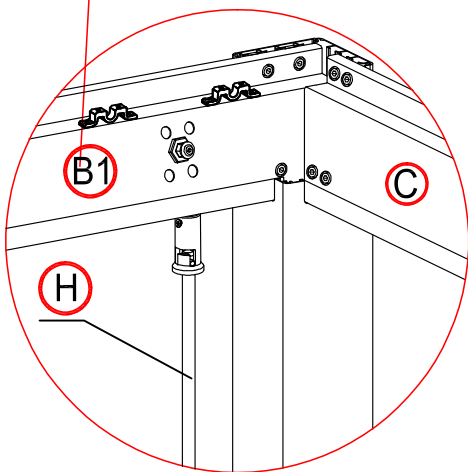
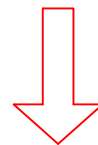
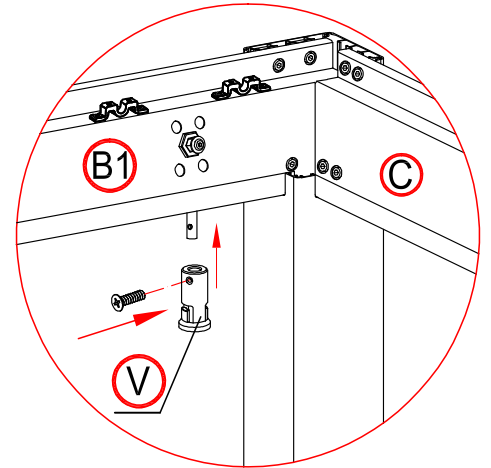
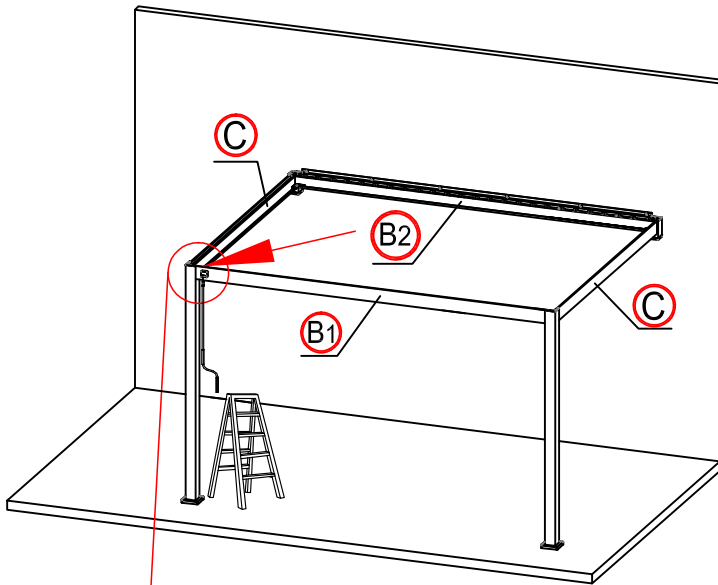
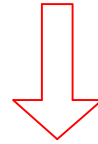
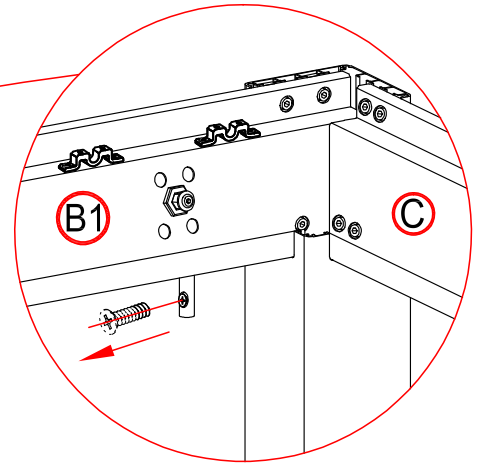
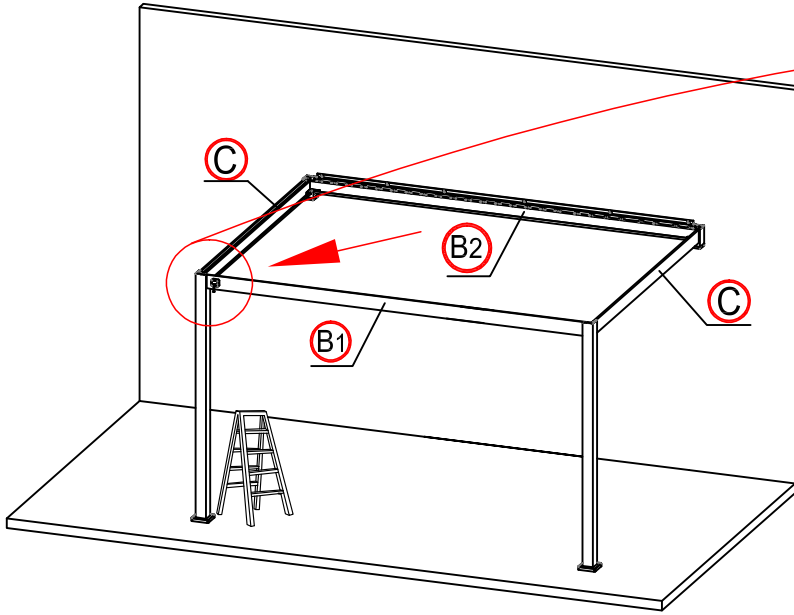


If waterproof performance is highly required, please prepare glass glue by yourself and apply onto the contact surface between the beam fixing part and the wall.

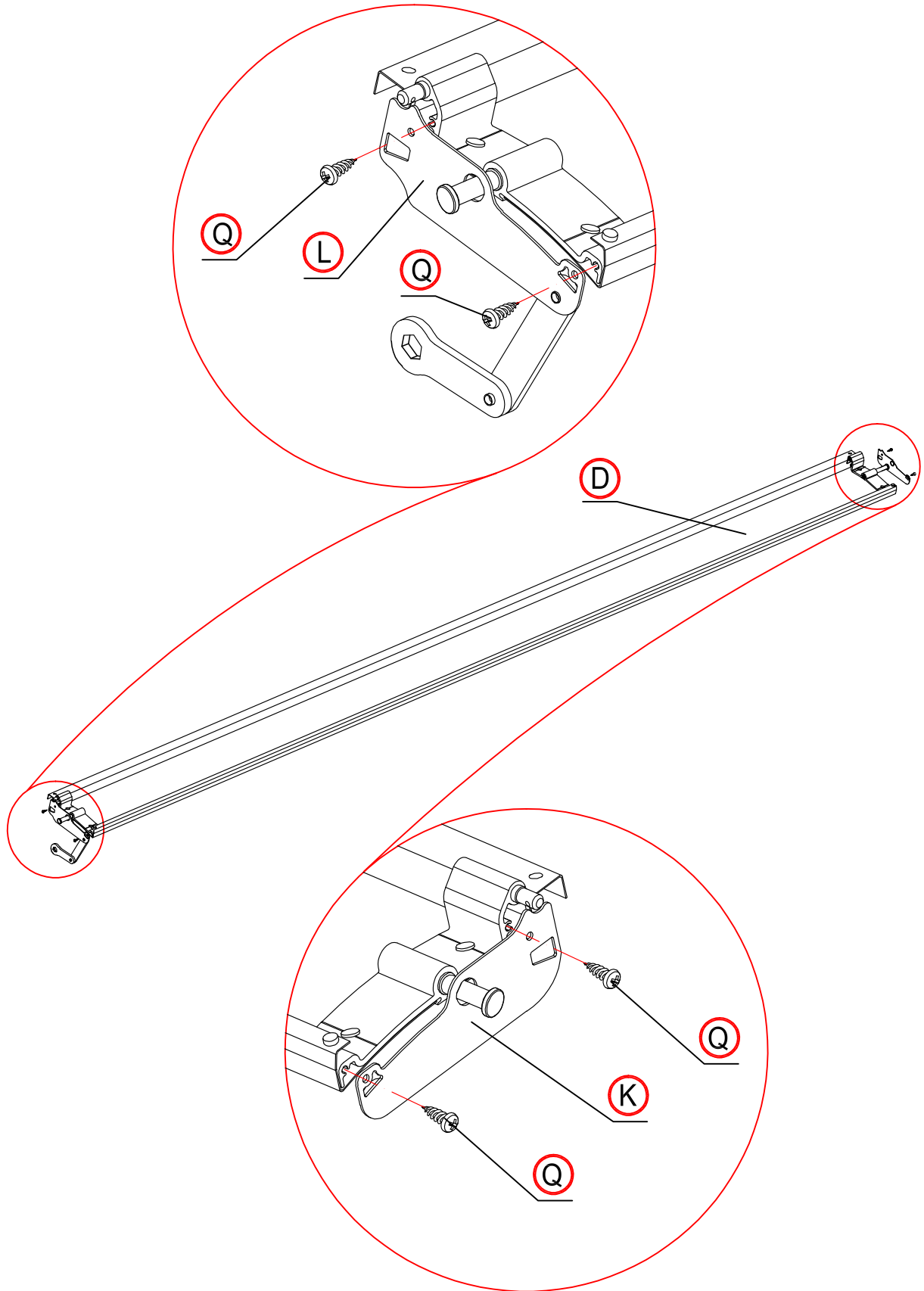


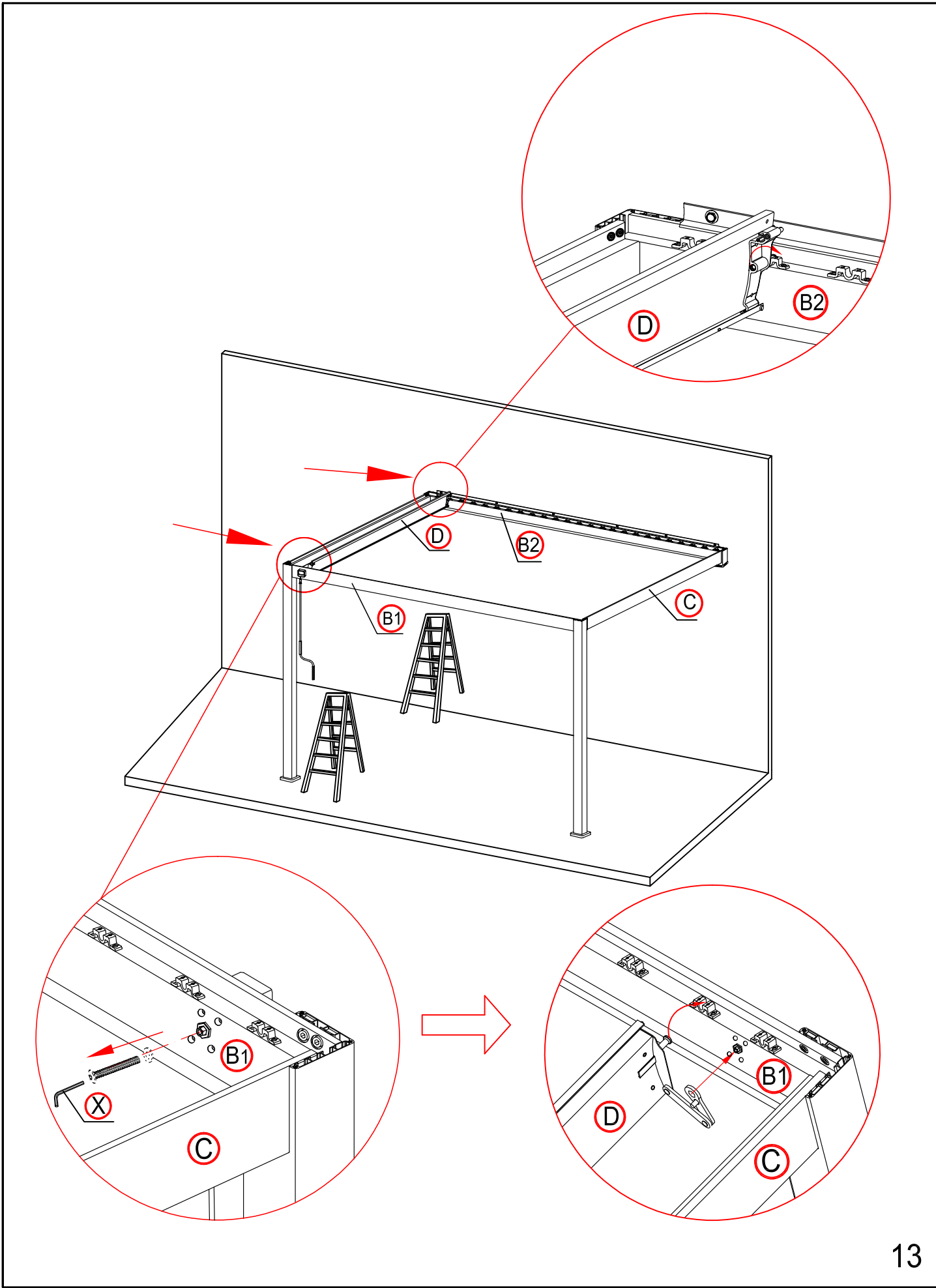




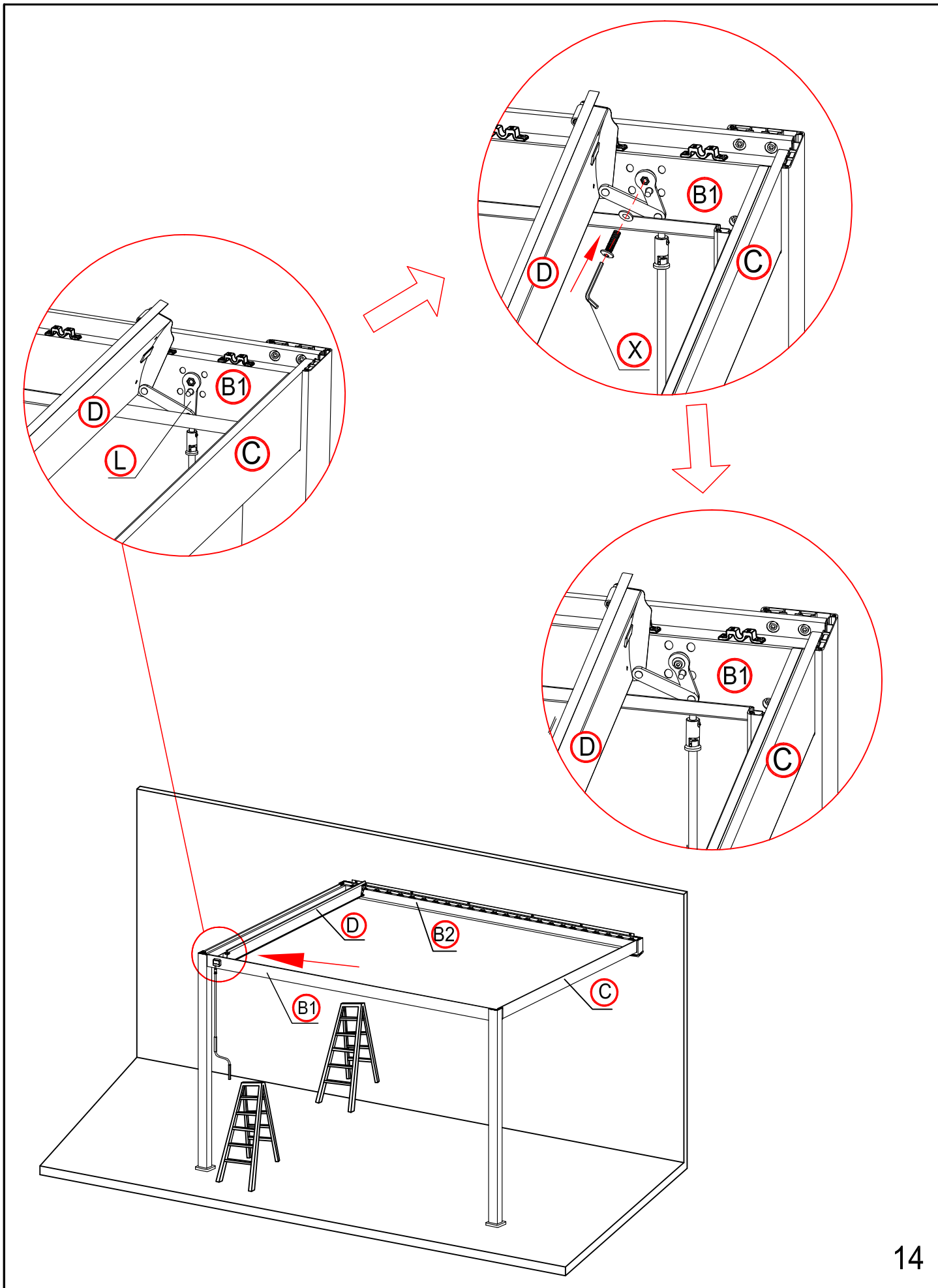


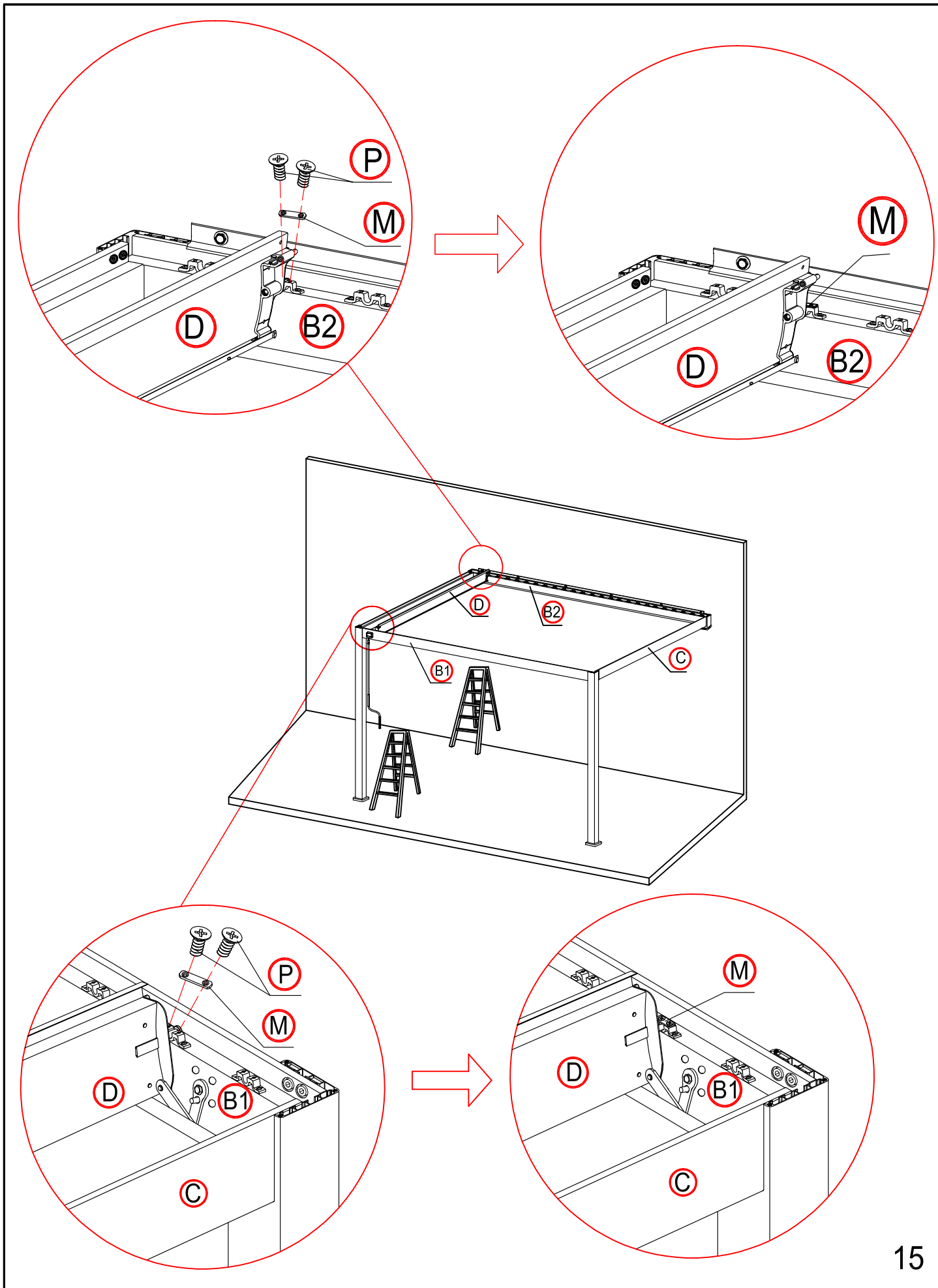
×1 time



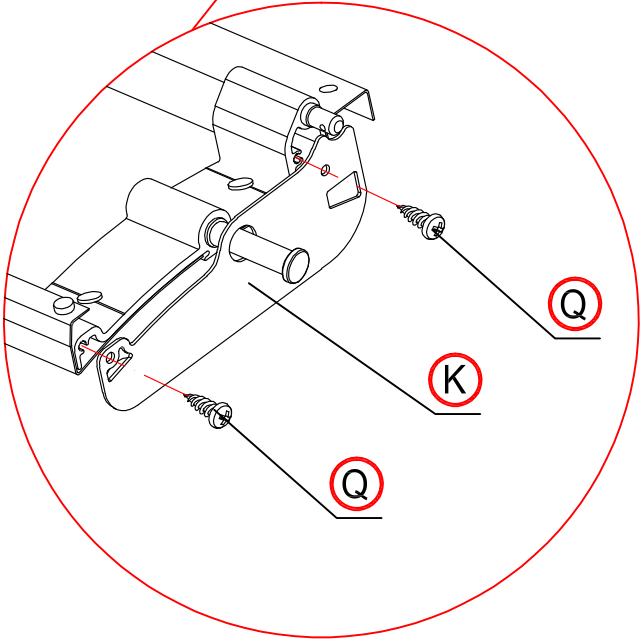
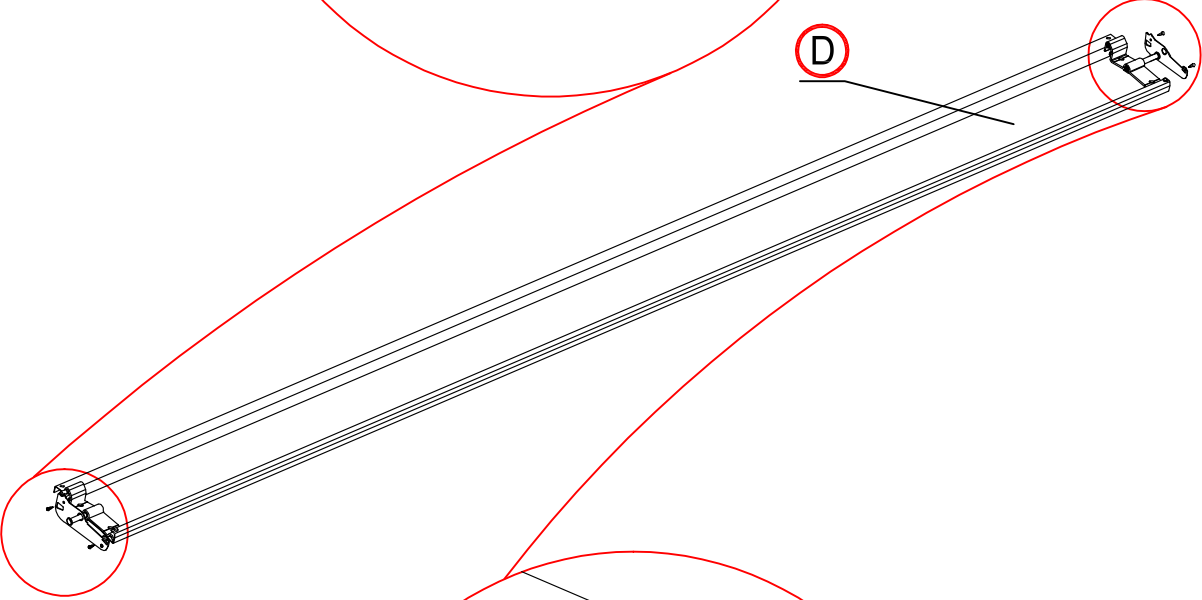
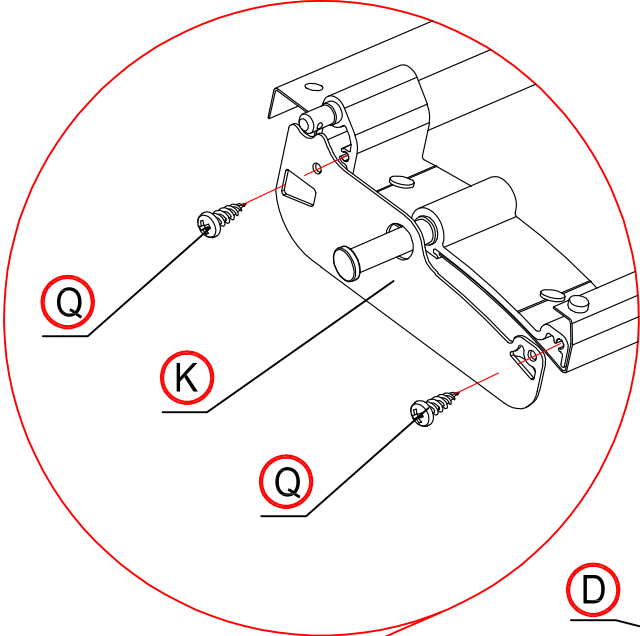


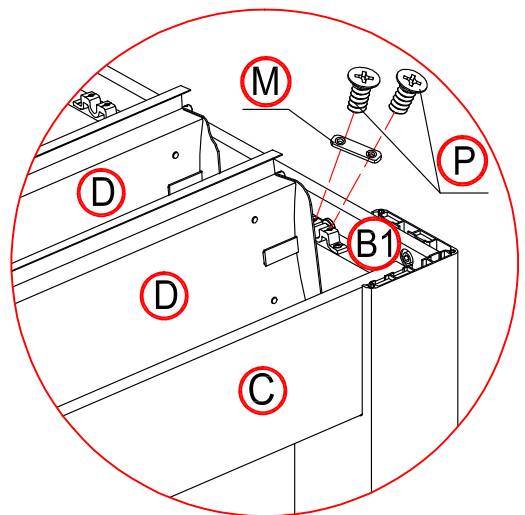
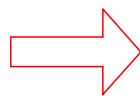
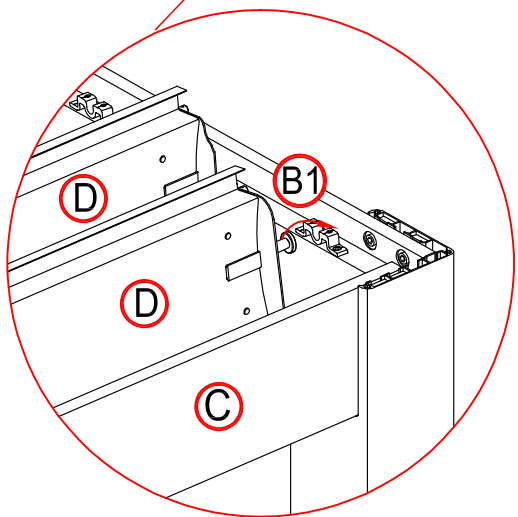
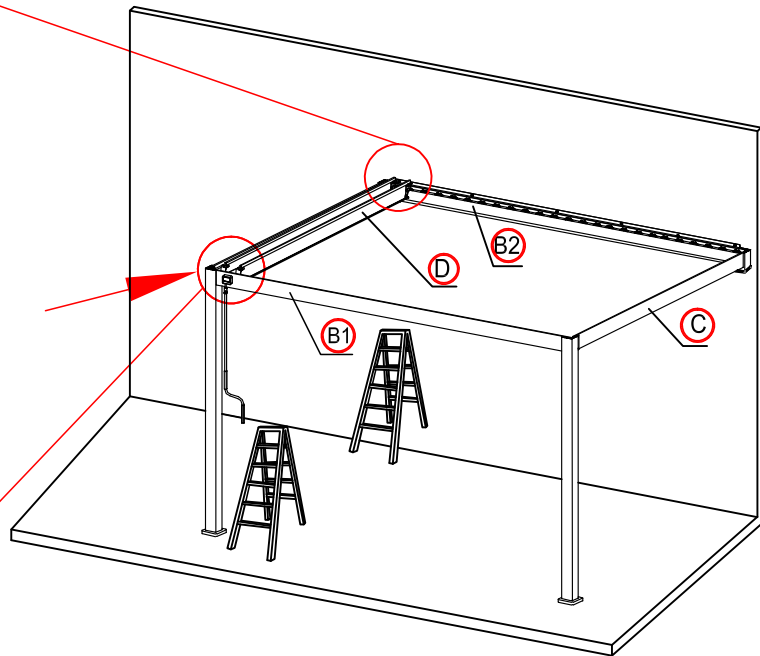
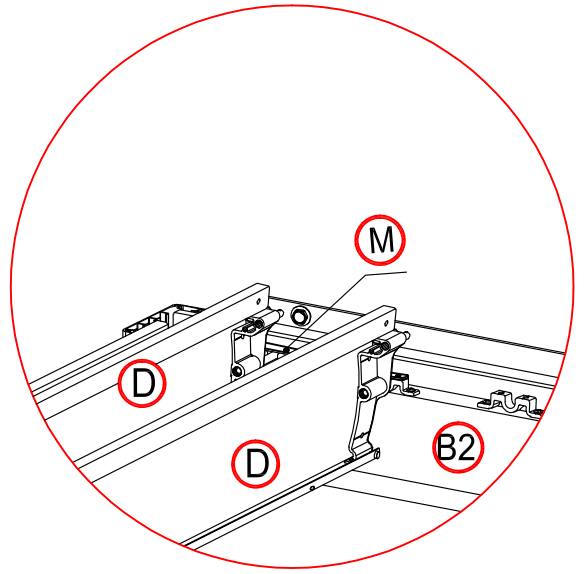
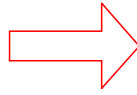
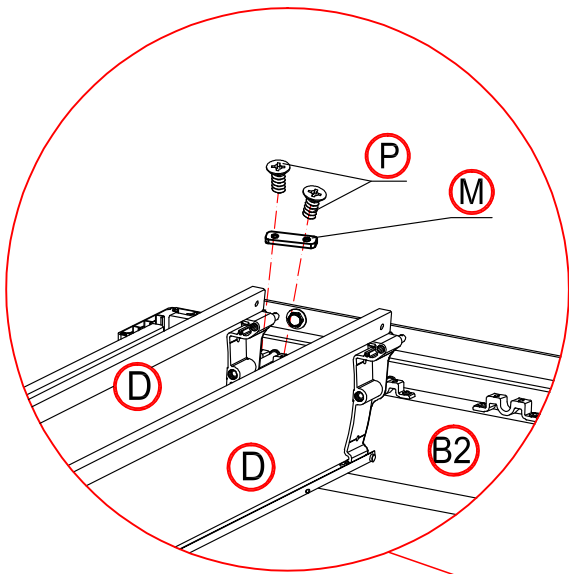
14



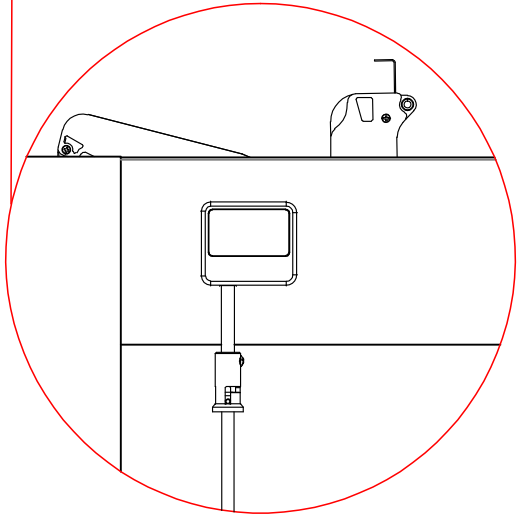
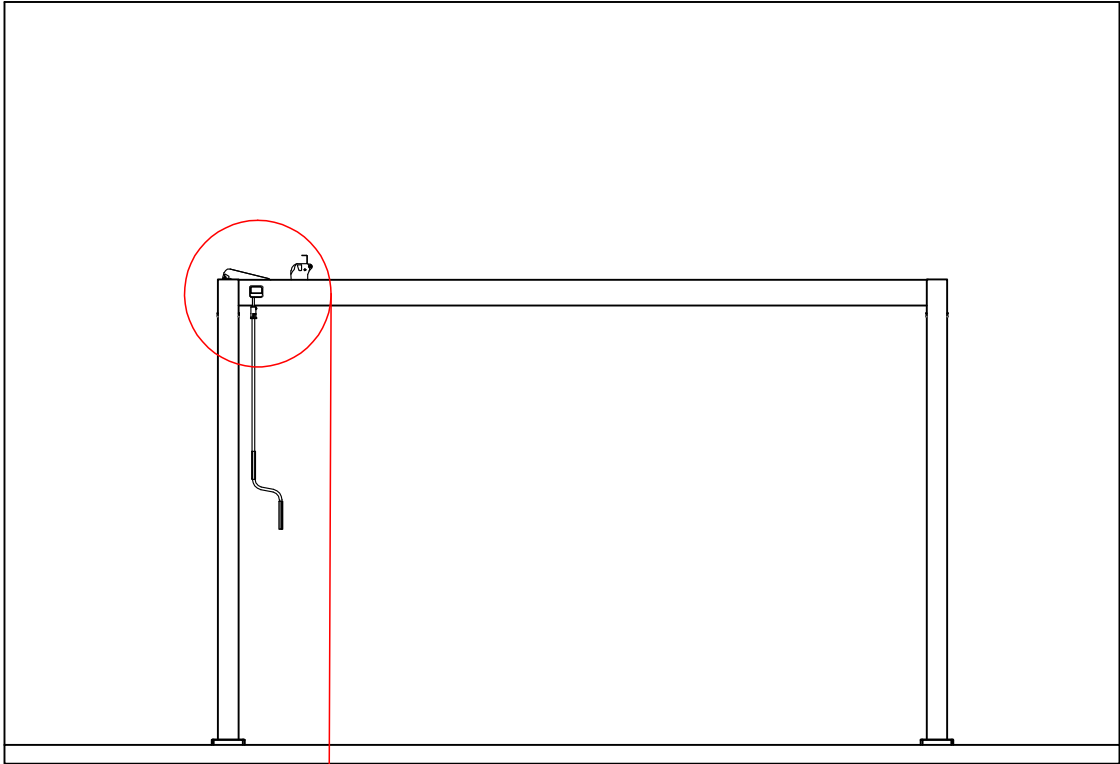


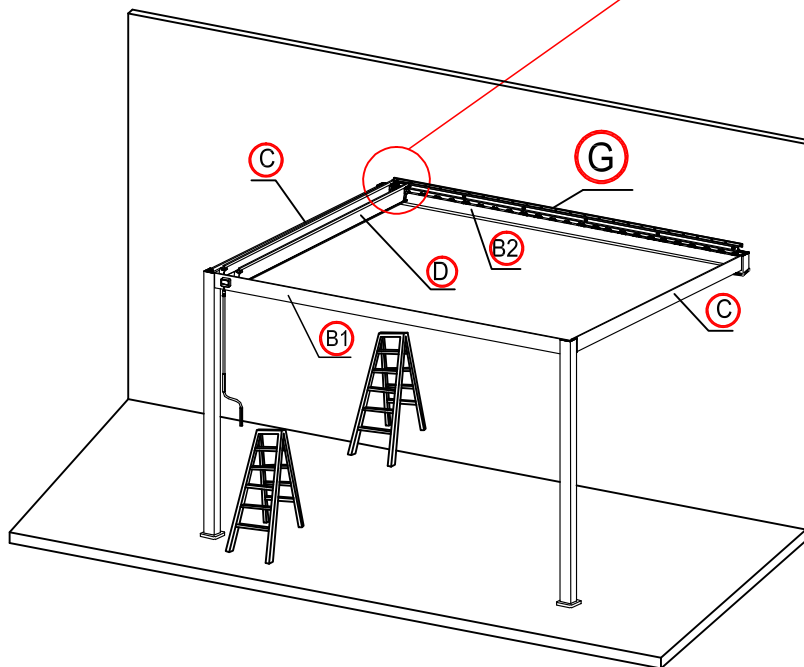
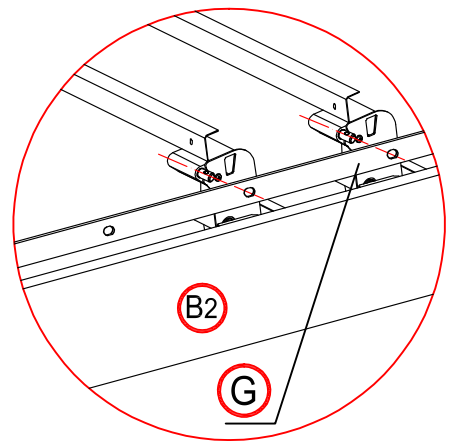
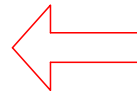
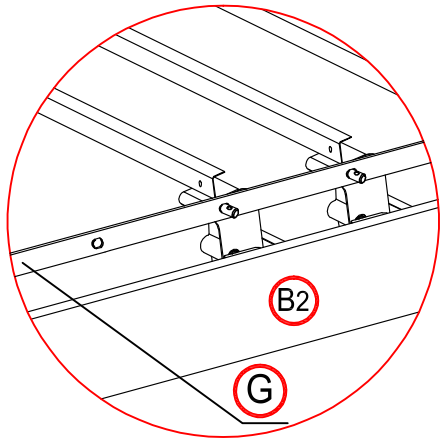
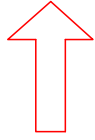
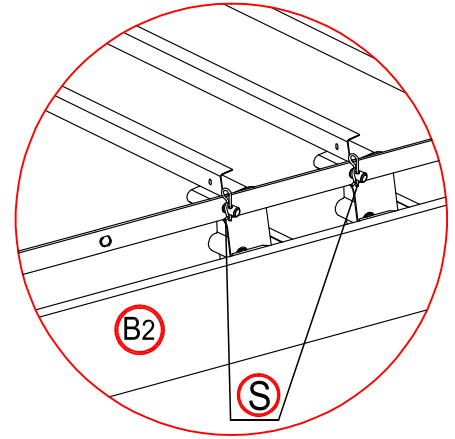
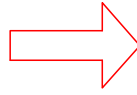
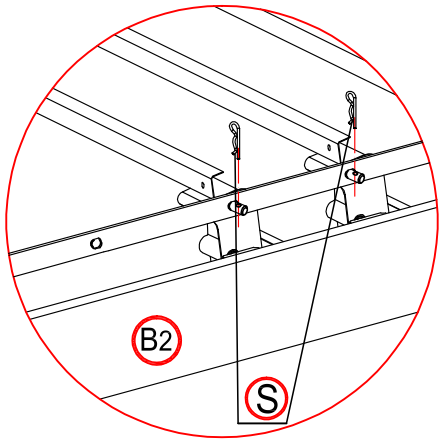
×24 times

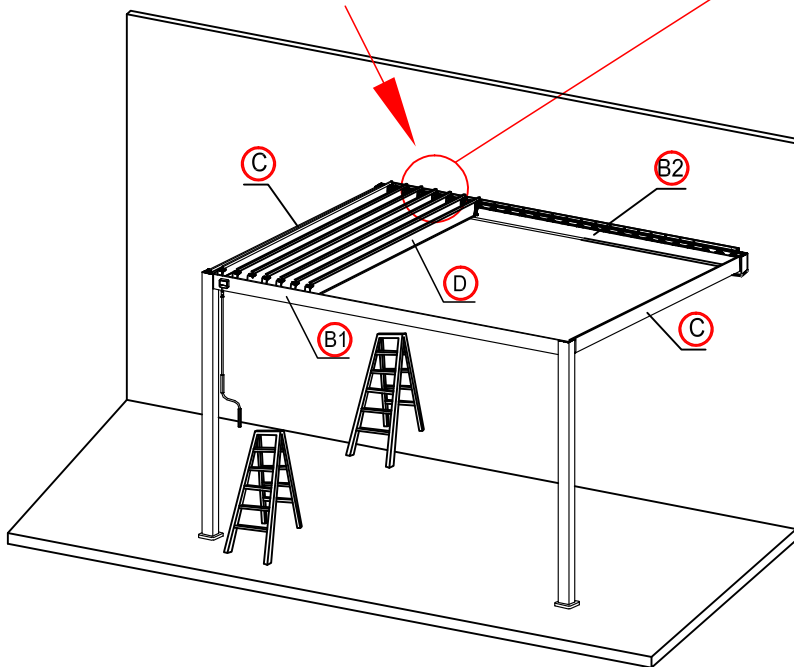
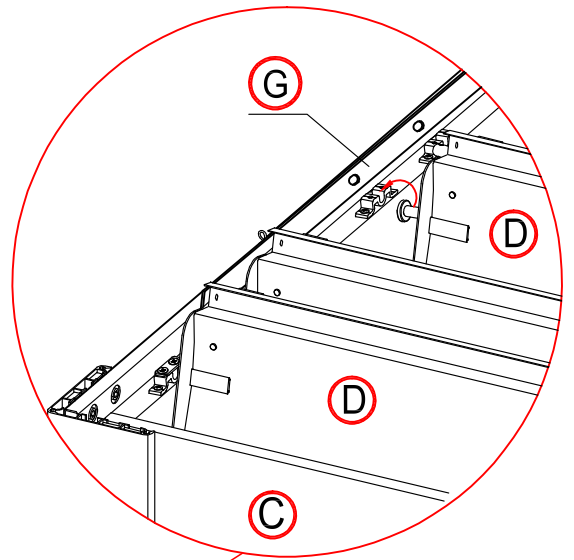
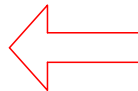
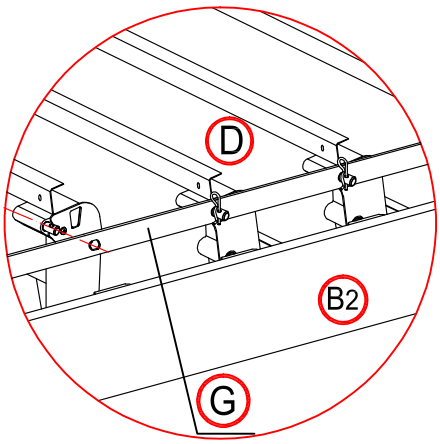
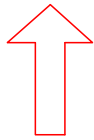
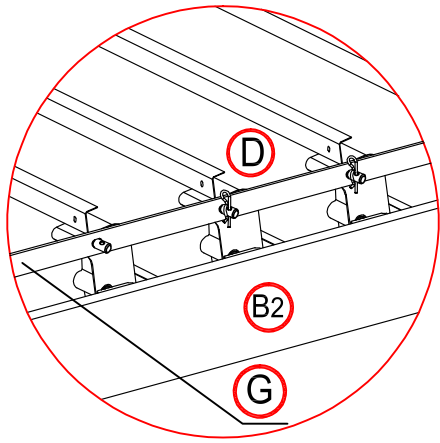


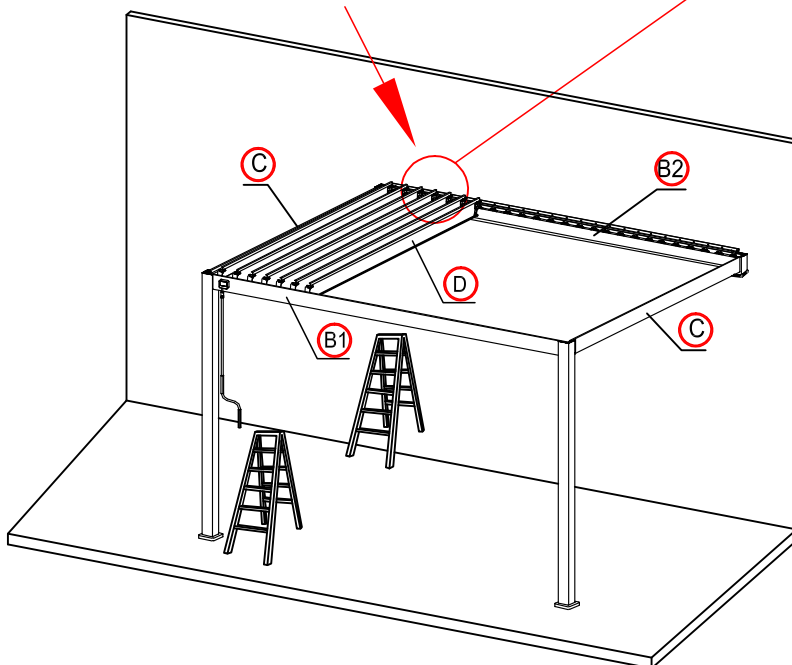
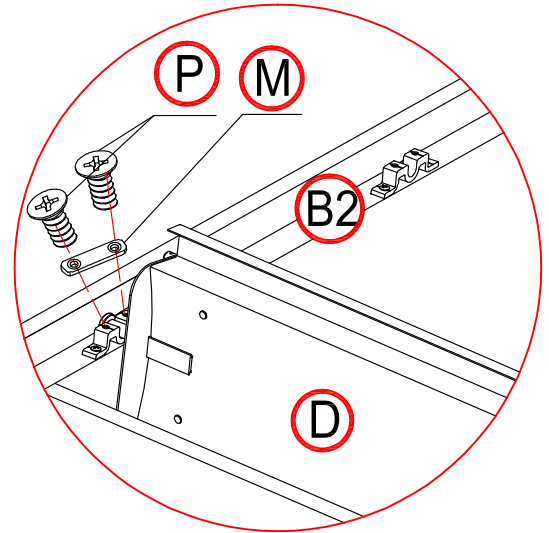
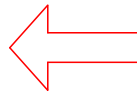
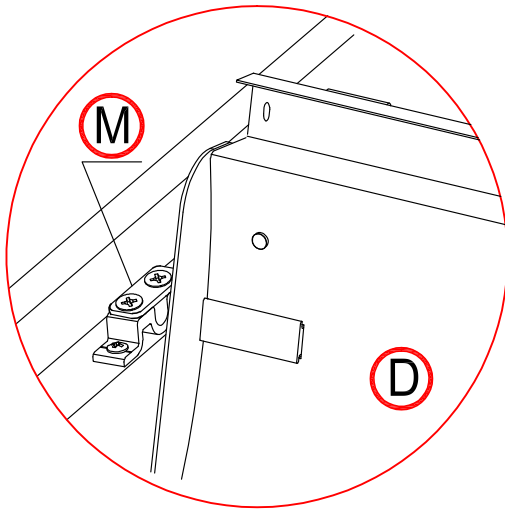
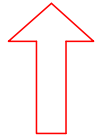
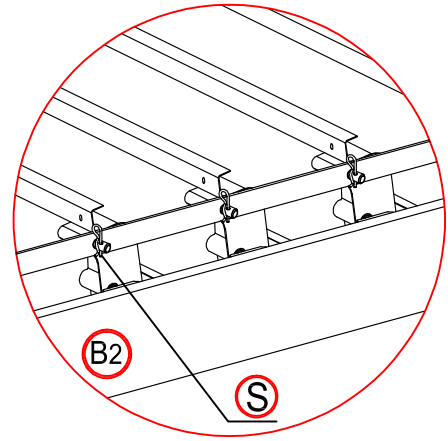
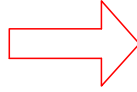
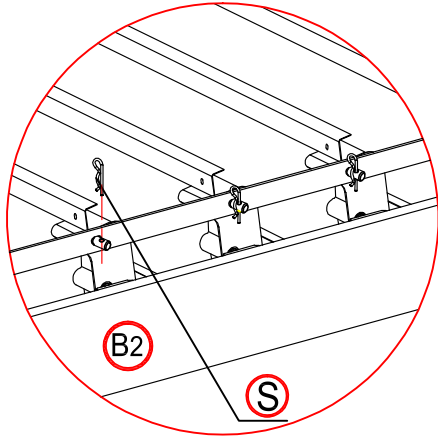


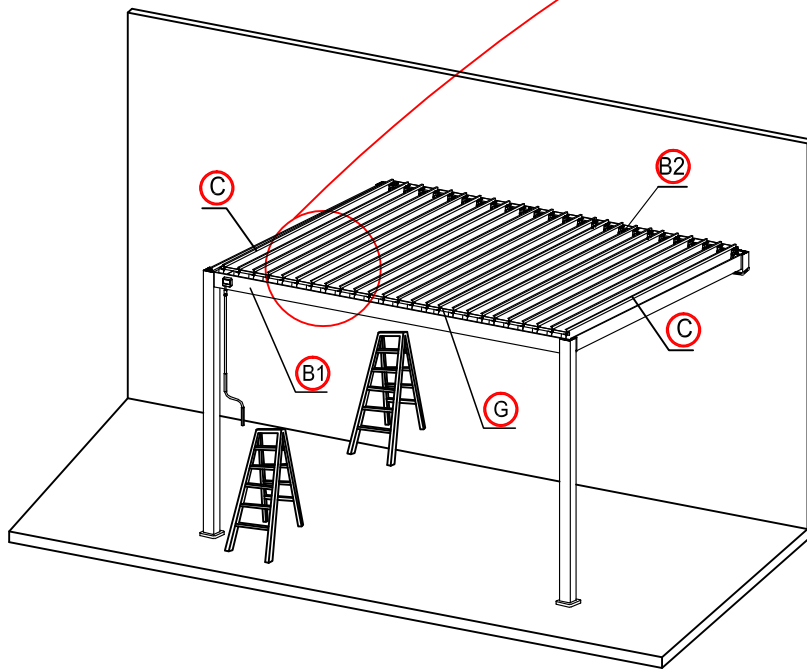
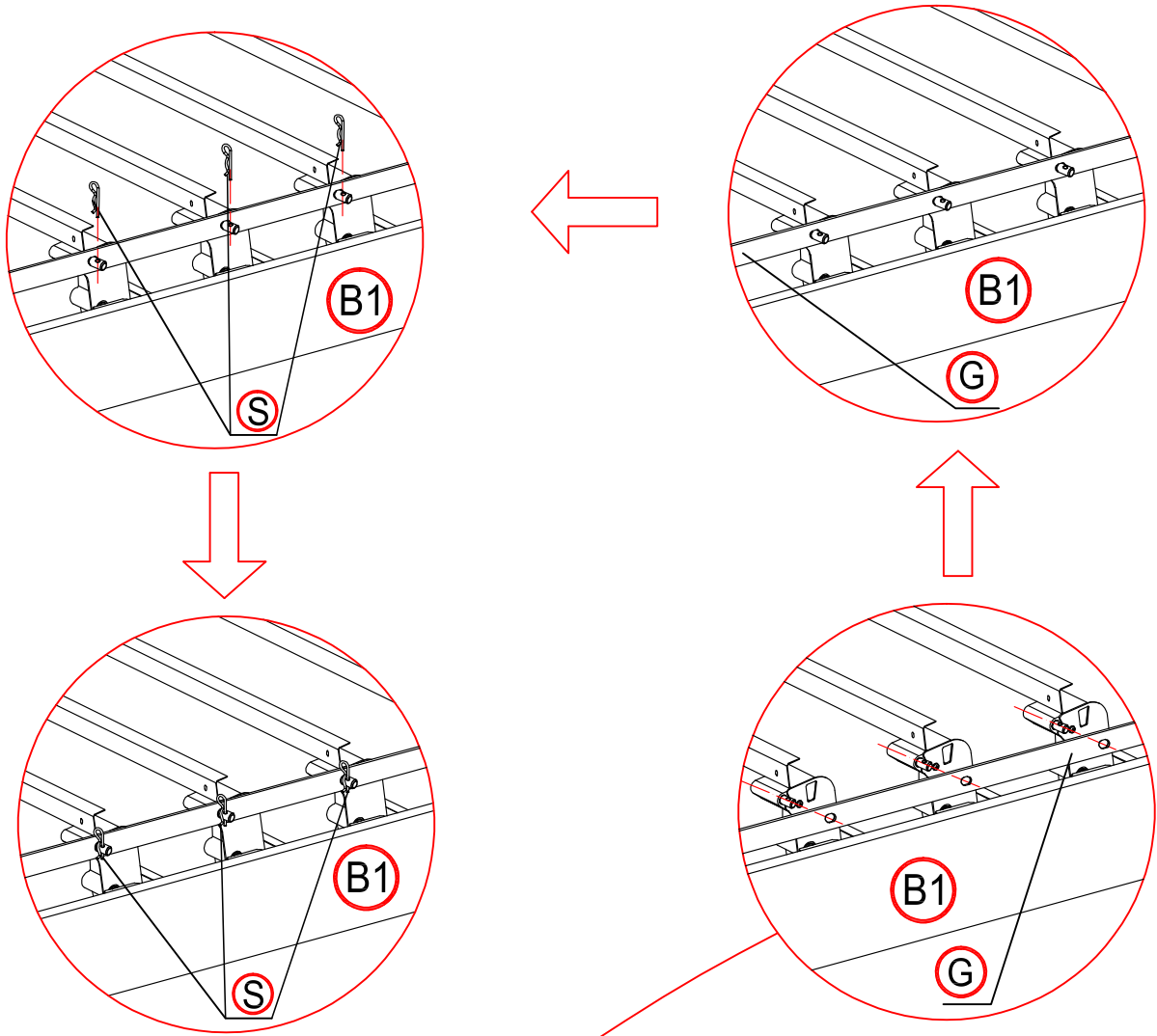
Make the shutter as vertical.



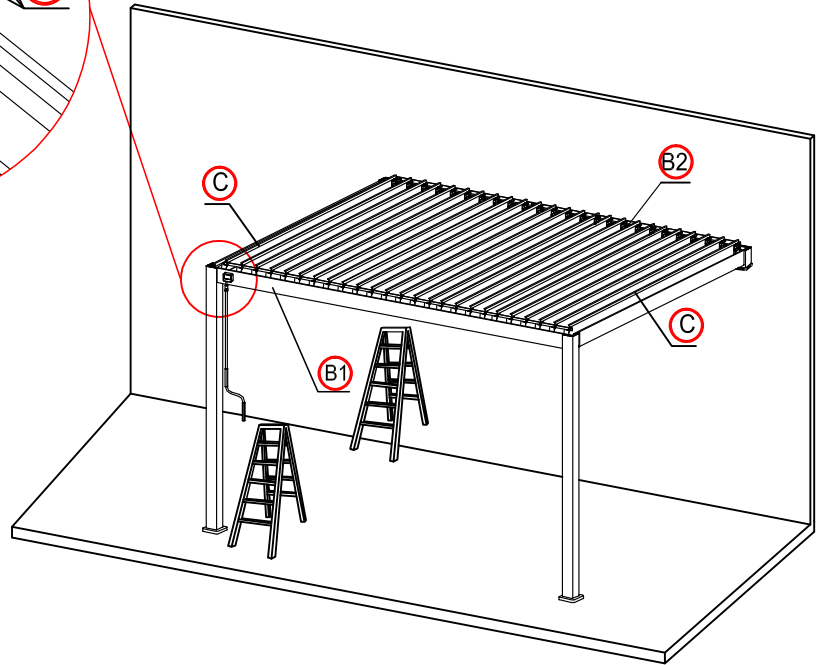
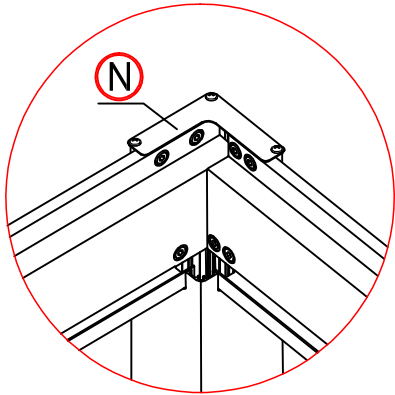
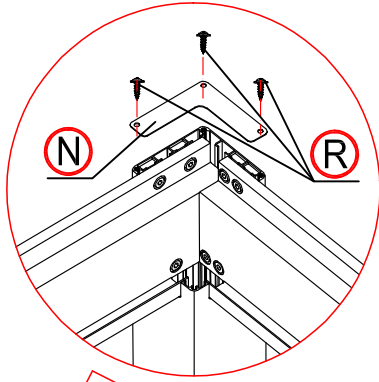








×4 times



23

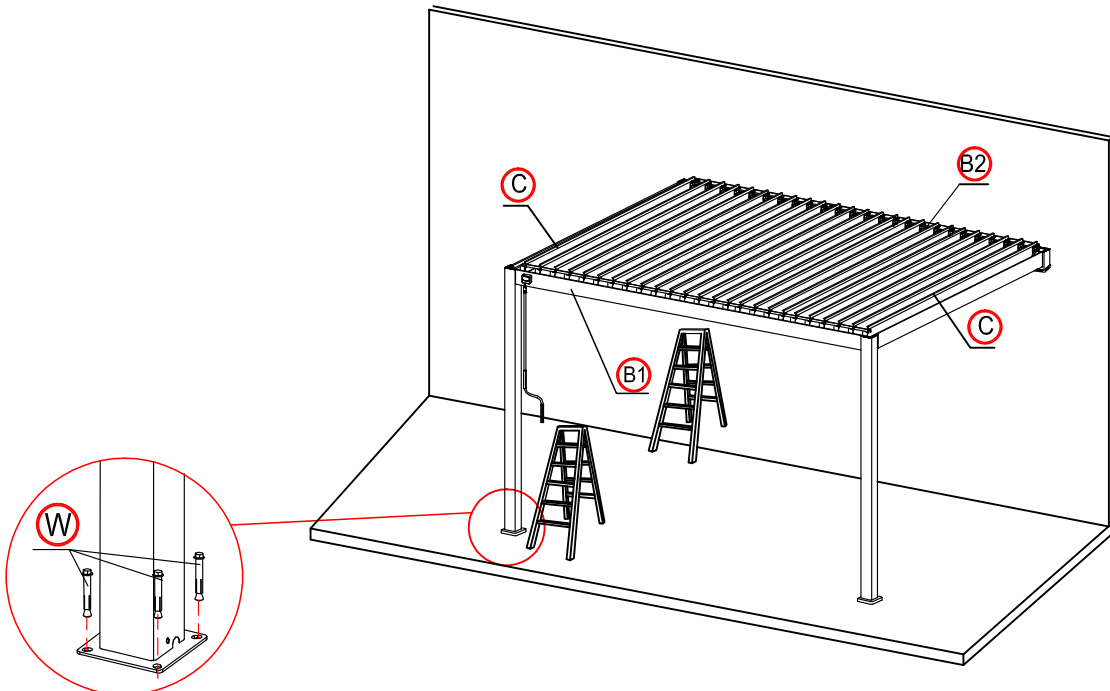
×2 times

Please install the pergola on flat and firm ground.

To avoid any possible issues when installing other accessories in the future, please tighten all expansion bolts after making sure horizontal and vertical dimensions are correct.

A 12mm diameter SDS-plus hammer drill bit is included in the package.

You may have to use your own drill bit if it does not fit your drill.



24

24

